



T130X Super-fine Grinding Mill

Reach new height with KEFID

- High efficiency of the powder collection
- Improve the product fineness
- The equipment is more reliable
- Increase the production





As China's largest crushing plant, mill equipments and beneficiation plants production base, kefid has exported large quantities and high-end mobile crushing plant and milling equipments to Russia, Kazakhstan, Indonesia, Ecuador, South Africa, Nigeria, Turkey more than 100 countries and regions and have solved about thousands of and beneficiation projects all over the world, which has made tremendous contributions to the local construction, mining industry and developments.

T130X enhanced super-fine grinding mill is a newly designed grinding mill based on the former patent product - TGM super pressure trapezium mill according to market investigation and careful statistics and analysis of use and suggestions from our clients carried out by our experts, which has got unique features by carrying on and improving structures and performance of TGM. The machine is mainly used in processing powder of mineral materials of metallurgy, building materials, chemical industry, mining, etc.



T130X enhanced super-fine grinding mill concentrate on grinding

1.The main frame and the base are completely soft-linked rather than rigid-contacted. It avoids the vibration from the chamber transferring to the main frame and the classifier,which improving the precision of the classifier.

2.The base are made of anti-crack nodular cast iron which boasts the strength of cast steel,the anti-vibration of cast iron and good impact resistance.

3.It adopts the reducer that simulates German Flender. Technological advantage of professional reducer manufacturers are made full use of to improve machine stability.Reducer and motor are connected by V-belt which is conducive to overload protection.

4.The main frame and reducer are connected by pin coupling with Elastic sleeve to ward off the breaking of nylon pin ,which improves the reliability of the whole equipment.

5.The classifier adopts high density impeller which can improve the fineness and capacity. Practice shows that in the case of constant speed, increasing the density of leaves can increase the fineness of the finished product.In other words,in the condition of same fineness, the high-density impeller rotates slower than the low-density one,which reduces the air resistance and increases production meanwhile.

6.The classifier adopts frequency control of motor speed with the characteristics of energy-saving, precision, good process control mobility and high degree of automation.

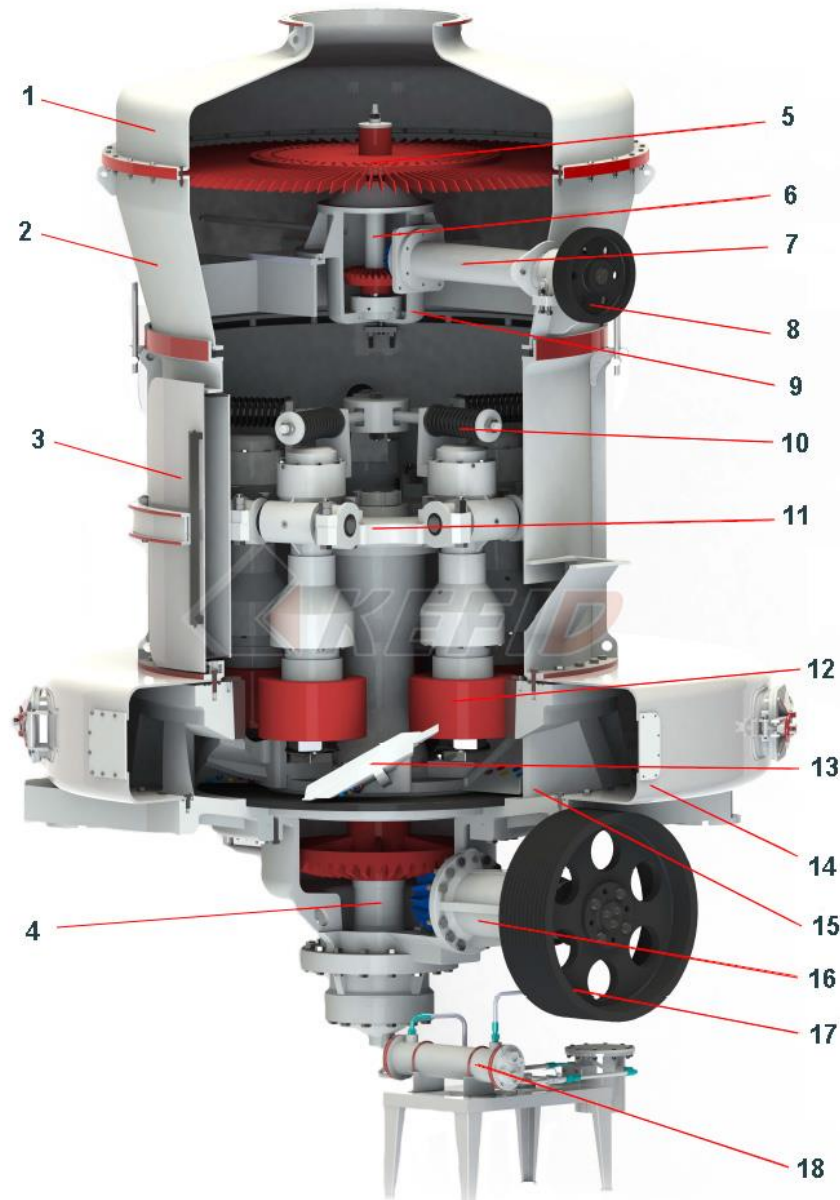
7.Bypass powder collector with a dust isolation chamber make more dust go into the bottom of cyclone by the bypass system to avoid the dust escaping from air vents. Compared with general powder collector,it has the character of low pressure loss and high efficiency, particularly being conducive to collect the powder particles which is difficult to collect.

8.Same resistance arrangement avoids difference in power from two powder collector, which increases the efficiency,capacity and decreases internal circulation.

9.The discharges of the collector and dust remover are in the same line which is convenient for powder collecting and packing and reduces the amount of work.

10.The maintenance platform makes maintenance work safer and more convenient.





- | | |
|---|-------------------------------------|
| 1- The upper shell of separator | 10- Spring |
| 2- The low shell of separator | 11- The hanging bracket of roller |
| 3- The main frame | 12- Roller |
| 4- The main shaft | 13- Shovels |
| 5- The rotor of the separator | 14- Volute |
| 6- The main shaft assembly of separator | 15- The engine base |
| 7- The transverse shaft assembly of separator | 16- The transmission shaft assembly |
| 8- The belt wheel of separator | 17- The belt wheel of main engine |
| 9- The oil sump of separator | 18- Lubricating oil line |

Technical Parameters of T130X Super-fine Grinding Mill

1. Parameters of machine body

Name	Unite	Specifications and technical parameters
Quantity of roller	pcs	4
Diameter of rollerxheight	mm	Φ410×210
Diameter of grinding ringxheight	mm	Φ1300×210
Rotating speed of machine body	Rev/min	103
Max feeding size	mm	<30
Grain size of powder	mm	0.074—0.038
Production capacity	t/h	4—13
Total weight of machine body	t	18

2. System power

Name	Item	Unite	Specifications, technical data
Main motor	Model		Y280S-4
	Power	Kw	75
	Rotational speed	Rev/min	1480
Motor of classifier	Model		Y160L-4
	Power	Kw	15
	Rotational speed	Rev/min	1460(frequency control)
Motor of elevator	Model		Y100L2-4
	Power	Rev/min	3
	Rotational speed	Rev/min	1430
Motor of draught fan	Model		Y280M-4
	Power	Kw	90
	Rotational speed	Rev/min	1480
Motor of jaw crusher	Jaw crusher model		PE 250×400
	Motor model		Y180L-6
	Motor power	Kw	15
	Motor rotational speed	Rev/min	970
Vibration feeder	Model		GZ3F
	power	W	200

Note: The final technical data are subject to the operation manual along with the machine.

The analysis of large-scale grinding plant



Kefid **7TPH** Limestone Grinding Plant in Egypt



Raw Material: limestone

Output size: 400 mesh

Capacity: 7 t/h

Kefid **8-10TPH** Calcium carbonate Grinding mill in Egypt



Material: Calcium carbonate

Capacity: 8-10 t/h

Input size: 200mm

Output size: 74 microns

Application: Construction industry



The Strength of Kefid

Kefid Machinery is a leading and pioneering enterprise with the most advanced international level in R&D, manufacturing and selling of large-scale crushing & screening plants and beneficiation plants. Located in a historic city and transportation hub in central China-Zhengzhou, covering 140 thousand square meters, Kefid has Shangjie and High-tech zone two production bases. Shangjie Zone which covers 80,000 square meters has three heavy-duty and modern integrated assembling workshops--occupying 50,000 square meters; High-tech zone has 22 floors R&D Management laboratory building with 26,000 square meters, comprehensive equipments exhibition hall with 5,100 square meters, heavy-duty and modern integrated assembling workshop with 10,000 square meters, and also has the industry's most advanced machining workshop 20,000 square meters, and hundred sets of advanced large-scale vertical lathe, fixed lathe, planner, boring lathe, grinder and milling machines.



SERVICE-With Me- Enjoy your pleasant journey

Your profit is our greatest concern and your praise is the biggest compliment that we diligently strive for. Our aim is, with the core of service, tailored for you the most valuable products with comprehensive pre-sale, sale and after sale service.

Tel: 0086-371-67999255

Email: Sales@kefid.com



SPARE PARTS

Grinding Plant



Ring



Roller



Shovel Base



Hinged support



Classifier Impeller

Crushing Plant



Weights for movable



Fixed jaw plate



Movable jaw plate



Lining board



wedge

Sand-making Equipment



Circum Guard plate



Impact Plate



Impact Block



Hammer



wearproof Plate

PRODUCT LIST

Stationary Crushers

JC Series Jaw Crusher
 Jaw Crusher
 C6X Series Jaw Crusher
 Primary Impact Crusher
 CI5X Series Impact Crusher
 Impact Crusher
 CS Cone Crusher
 Spring Cone Crusher
 HPT Cone Crusher
 Deep Rotor VSI Crusher
 B Series VSI Crusher
 VSI6S vertical shaft impact crusher

VU System Equipment

Dry Sand Making System
 Dry-Mixed Mortar Sand Making Equipment
 Concrete-Use Sand Making Equipment

Grinding Mills

Ultra Fine Vertical Grinding Mill
 VM - Vertical Grinding Mill
 European Tech. Grinding Mill
 Micro Powder Mill
 Raymond Mill
 Ball Mill

Washing & Screening

F5X Heavy Vibrating Feeder
 Screw Sand Washing Machine
 Wheel Sand Washing Machine
 Vibrating Feeder
 Belt Conveyor

K series mobile plants

Primary mobile crushing plant
 Mobile Secondary Crushing & Screening Plant
 Independent Operating Combined Mobile Station
 Fine crushing and screening mobile station
 Fine crushing & washing mobile station
 Three combinations mobile crushing plant
 Four combinations mobile crushing plant

Crawler Mobile Crusher

Ore Beneficiation

Jaw Crusher
 HPT Cone Crusher
 Ball Mill
 Rotary Kiln
 Flotation Machine
 High Gradient Magnetic Separator

Address: National HI-TECH Industry Development Zone.Zhengzhou,China.

Tel : 0086-371-67999255(24 Hour) / 67988500

Fax: 0086-371-67998980

Zip code: 450001

Email:sales@kefid.com

Web: <http://www.kefid.com>

